

Potenza ST Universal Remote Control

Users Guide

PREPROGRAMMED FOR YOUR SET-TOP BOX

(Note: Some keys different than displayed)



Table of Contents

INTRODUCTION.....	3
FEATURES AND FUNCTIONS.....	4
Key Charts	5
Device Table	7
INSTALLING BATTERIES.....	8
PROGRAMMING DEVICE CONTROL.....	8
SETTING UP A COMBO UNIT	9
SEARCHING FOR YOUR CODE.....	9
CHECKING THE CODES.....	10
USING LEARNING.....	10
Learning Precautions.....	10
Programming a Learned Key.....	10
Deleting a Single Learning Key.....	11
Deleting All Learned Keys in a Specific Mode.....	11
PROGRAMMING CHANNEL CONTROL LOCK.....	11
Unlocking Channel Control.....	11
Locking Channel Control to STB.....	11
CHANGING VOLUME LOCK	12
Unlocking Volume Control for a Single Device (Individual Volume Unlock).....	12
Unlocking All Volume Control (Global Volume Unlock).....	12
Locking Volume Control To One Mode (Global Volume Lock).....	12
PROGRAMMING ID LOCK	12
PROGRAMMING MACRO KEYS	13
Programming a Macro Key.....	13
Clearing a Macro Key.....	13
USING THE MASTER POWER KEY	13
Programming the Master Power Key.....	13
Using the Master Power Key.....	14
Clearing the Master Power Key.....	14
RE-ASSIGNING DEVICE KEYS	14
CLEARING CUSTOM PROGRAMMING.....	14
TROUBLESHOOTING.....	15
FCC NOTICE.....	15
ADDITIONAL INFORMATION.....	16
MANUFACTURER'S CODES	17
Setup Codes for Audio Amplifiers.....	17
Setup Codes for Audio Receivers.....	17
Setup Codes for Audio Accessories.....	18
Setup Codes for Cable Boxes/Converters.....	18
Setup Codes for Cable/DVR/PVR Combos.....	18
Setup Codes for DVD Players.....	19
Setup Codes for DVD Recorders.....	20
Setup Codes for DVD Combos	21
Satellite Receivers and DVR/PVR Systems.....	21
Setup Codes for DVR/PVR Systems.....	21
Setup Codes for TVs.....	21
Setup Codes for TVs (DLP).....	25
Setup Codes for TVs (HDTV).....	25
Setup Codes for TVs (LCD).....	25
Setup Codes for TV/DVD Combos.....	26
Setup Codes for TV/VCR Combos.....	27
Setup Codes for TV/VCR/DVD Combos.....	27
Setup Codes for VCRs.....	27

INTRODUCTION

The Potenza ST Universal Remote Control by Universal Electronics is our latest generation universal remote control. Its sophisticated technology allows you to consolidate up to five of your original home entertainment remote controls into one easy-to-use product. Moreover, its packed with advanced features such as:

- Preprogrammed control to operate the set-top box supplied by your service provider
- Dedicated keys to control popular functions on your DVR/PVR (Digital/Personal Video Recorder)
- Programmable Master Power key for master on/off control of your home entertainment equipment with a single keystroke
- Programmable Macro Keys to allow you to activate certain keys in a specific order
- Channel Lock to lock channel selection only to the cable converter
- Volume Lock to lock volume controls to one mode or individual modes
- Device Key Re-Assignment to remotely control a second (duplicate) device
- Code Search to help program control of older or discontinued components
- Color-coded keys to quickly locate popular functions
- Code library for popular video and audio devices

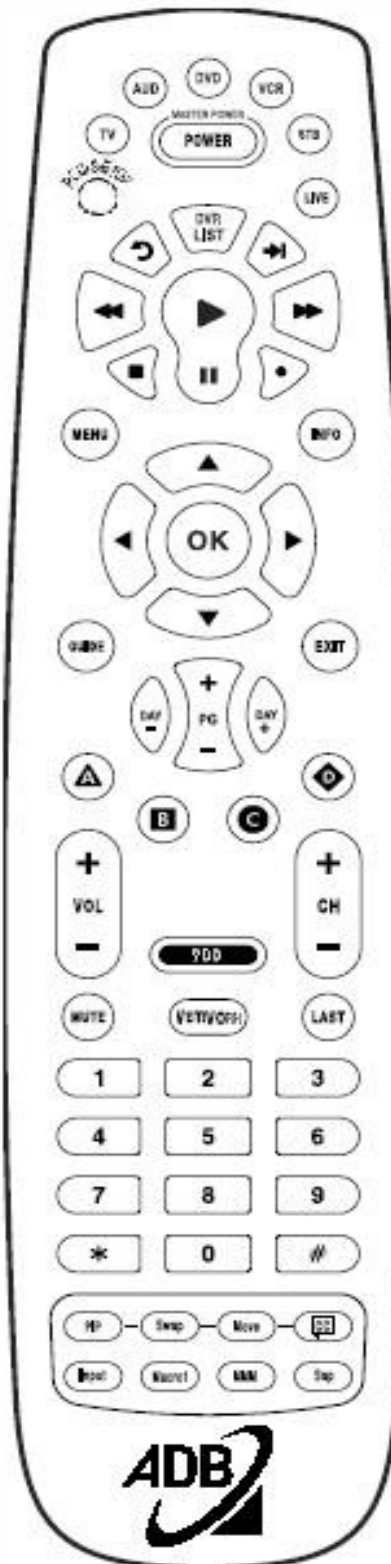
Before using the product, you will need to install the enclosed batteries and also perform some programming to operate the specific home entertainment devices you wish to control.

Please follow the instructions detailed in this manual to set up the unit and then start enjoying your new remote control.



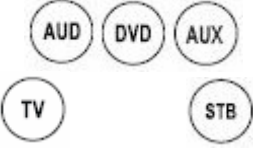







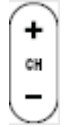


FEATURES AND FUNCTIONS

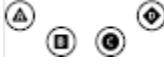



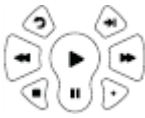
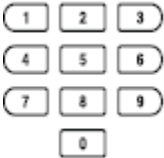







Use the illustration below to locate features on the Potenza ST Universal Remote Control and then study the Key Charts (on the next three pages) to learn how they function.


To find out what type of devices can be controlled by each device key after programming, see “Device Table” on page 7



Key Charts






Key	Function
	Use SETUP for all programming sequences.
	Press POWER once to turn on or off a home entertainment device. For MASTER POWER control, see “Using the Master Power Key” on page 13.
	Press TV , AUD , DVD , AUX or STB once to select a home entertainment device to control. Also see “Device Table” on page 7. Each device key has an embedded LED (red light) that blinks upon selection and indicates the remote control is working and (after programming) is sending signals.
	Use GUIDE to display the program guide.
	Use INFO to display the current channel and program information.
	Use DAY+ (or DAY-) to move a day forward (or back) on your set-top box’s program guide.
	Use the Cursor keys to move the cursor in the program guide and menu screens and to navigate within the interactive service. Use OK to choose options, PPV events, and to tune to programs from the program guide.
	Use PAGE+ (or PAGE-) to page up (or page down) through menu screens and the program guide.
	Use EXIT to exit out of your set-top box’s menu and guide.
	Use VOL+ (or VOL-) to raise (or lower) the audio volume.
	Use CH+ (or CH-) to select the next higher (or lower) channel. For DVD players, use these keys to skip forward (or reverse) through chapters. For amplifiers/receivers, use these keys to select the next higher (or lower) preset station.
	Press MUTE once to turn the sound off or on.
	Press LAST once to recall the last channel.

Key	Function
	<p>Use A, B, C, and D to access additional features on your set-top box (see set-top box manual for details).</p> <p>These keys are colored Red, Green, Yellow, Blue</p>
	<p>Use ↶ to command your PVR/DVR set-top box to instantly replay the last 7 seconds of a program you are watching.</p>
	<p>Press LIVE to command your PVR/DVR set-top box to return to watching live TV.</p>
	<p>Press LIST once to display a list of recorded shows on your PVR/DVR set-top box.</p>
	<p>In all modes except STB, use REW, PLAY, FFWD, STOP, and PAUSE to control a VCR, DVD player, or a PVR (after selecting a desired device). To record in the VCR mode, press REC twice.</p> <p>In the STB mode, use these keys to control the DVR/PVR functions of the set-top box.</p>
	<p>Use the keypad numbers (1 - 9, and 0) to directly tune channels (e.g., 09).</p> <p>For amplifiers/receivers, use the keypad numbers to select inputs 1 through 10.</p>
	<p>Press ASPECT once to change the aspect ratio of the show you are watching. (Not available on all set-top boxes).</p>
	<p>Press SHIFT to access additional set-top box features (see your set-top box's manual).</p>
	<p>PIP turns the Picture-In-Picture feature on or off (if available on your TV or set-top box).</p>
	<p>SWAP is used to switch PIP images and sound between the main and window pictures.</p>
	<p>MOVE moves the PIP window to different positions on your TV screen.</p>
	<p>CC key turns closed captions on/off</p>
	<p>SAP is used to secondary audio.</p>

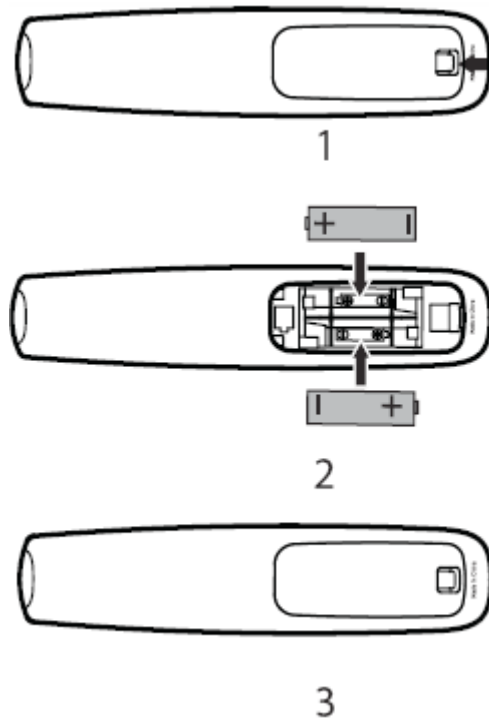
Key	Function
	INPUT in STB mode is used to view other video sources (A or B). In other modes, use INPUT to switch between the source inputs on the device you are controlling.
	All other keys not mentioned in this manually, currently, have no assigned function

Device Table

NOTE: Please refer to the table below when performing the instructions in “Programming Device Control” on page 8 or “Setting Up a Combo Unit” on page 9. After programming, the Potenza ST Universal Remote Control will be able to control the following types of devices:

Device Key	Controls these types of devices
	Television.
	Audio Amplifier, Tuner, or Receiver
	DVD Player, or extra VCR, TV/VCR Combo or PVR
	Can be programmed as an additional TV/VCR/DVD or VCR
	Set top box

INSTALLING BATTERIES



1. On the back of the remote control, push the tab and lift off the battery cover.
2. Locate the two (2) enclosed AA batteries. Match the + and - marks with those in the battery case, then insert them.
3. Align the covers keys with the cases holes and press the cover back into place. The tab should click when the cover is locked.
4. Test the remote control by pressing any mode key (e.g. , **TV**). If the batteries are inserted correctly, the LED (red light) will blink once.

NOTE: When batteries need replacement, the remote control will cease to operate. Replace the batteries and the unit will be restored to its full functionality, complete with your favorite settings.

PROGRAMMING DEVICE CONTROL

The Potenza ST Universal Remote Control is preprogrammed to operate the set-top box provided by your television service provider, an RCA TV, a Toshiba DVD player, an RCA VCR, and a Pioneer audio receiver. To control devices other than the default brands, perform the following steps; otherwise skip this section.

NOTES: For control of a Combo device (for example, a TV/VCR combo), skip this section and perform the instructions on “Setting Up a Combo Unit” on page 9. Also refer to “Device Table” on page 7 to find out which devices can be programmed onto each device key. If you have another brand of set-top box you would like to control, you’ll need to unlock the STB ID Lock before changing the set-top box code (see “Programming ID Lock” on page 12).

1. Turn on a device and, if applicable, insert video media, (e.g., cassette or disc).

NOTE: Please read steps 2 through 5 completely before proceeding. Highlight or write down the codes and device you wish to program before moving on to step 2.

2. On the remote control, press a device key once (i.e., **VCR**, **DVD**, **AUD**, **TV**, or **STB**); it will blink once.
3. Press and hold **SETUP** until the selected mode key blinks twice, then release **SETUP** .
4. Use the “Manufacturer’s Codes” starting on page 17) to locate the type of device and brand name and then enter the first four-digit code for your device. If performed correctly, the selected mode key will blink twice.

NOTE: If the selected mode key emits a long blink, the entry is invalid. Repeat steps 2 through 4 and try entering the same code again.

- Aim the remote control at the device and press **POWER** once. The device should turn off. If it does not, repeat steps 2 through 4, trying each code for your brand until you find one that works. If it still does not respond, try searching for the code (see “Searching for Your Code” on page 9).

NOTE: If the device does not have a **POWER** key (e.g., DVD and VCR) , press the (Play) key.

- Repeat steps 1 through 5 for each device you want the remote control to operate. For future reference, write down each working device code in the boxes below.

	TV Code	AUD Code	DVD Code	AUD Code	STB Code
Device Type:					
Code					

SETTING UP A COMBO UNIT

If you own a combo unit such as a TV/VCR Combo or a TV/DVD Combo, you need to follow special steps to set it up. Perform the following instructions to control combo device:

- For a TV/VCR Combo, turn on your TV/VCR Combo and insert a video cassette. (For a TV/DVD Combo, insert a DVD).
- On the remote control, press **VCR** once; it will blink once. Then press and hold **SETUP** until the **VCR** key blinks twice.
- Use the “Manufacturer’s Codes” starting on page 17 to locate the brand name and enter the first four-digit code for your combo device (for example, TV/VCR). If you perform this procedure correctly, the **VCR** key will blink twice.

NOTE: If the **VCR** key did not blink twice after entering the codes last digit, repeat steps 2 through 3 and try entering the same code again. If you’ve located a setup code that works for your combo device (for example, a TV/VCR Combo) and a separate TV code is also listed, you’ll need to program this code into the remote control to access volume control (see “Programming Device Control” starting on page 8).

- Aim the remote control at your combo device (for example, TV/VCR Combo) and press **POWER** once. The device should turn off. If it does not respond, repeat steps 2 through 3, trying each code listed for your brand until you find one that works. If it still does not respond, try searching for the code (“Searching for Your Code” starting on page 9).
- For future reference, write down each working device code in the boxes below:

	TV Code	TV/VCR Code	TV/DVD Code
Device Type:			
Code			

SEARCHING FOR YOUR CODE

If your home entertainment device does not respond to the Potenza ST Universal Remote Control after trying all of the codes listed for your brand, or if your brand is not listed at all, try searching for your code. For example, to search for a code for your TV:

- Turn on your TV.
- On the remote control, press **TV** once; it will blink once. Then press and hold **SETUP** until the **TV** key blinks twice.
- Type **9 9 1** . The **TV** key will blink twice.
- Aim the remote control at the TV and press **POWER** once.
- Press and release the **CH+** key continuously, then stop when the TV turns off.

NOTE: In the search mode, the remote control will send IR codes from its library to the selected device, starting with the most popular code first.

- Press **POWER** . The TV should turn on, then press **SETUP** once to lock in the code. The LED will blink

twice to indicate that the code is saved.

NOTE: If the TV does not turn on during step 6, then slowly press and release **CH-** to go back through the codes, then press **SETUP** when the TV turns on.

7. To search for the codes of your other devices, repeat steps 1 through 6, but substitute the appropriate key (e.g., **TV, AUD, DVD, AUX,** or **STB**) for the device you are searching for.

CHECKING THE CODES

If you have set up your remote control by searching for your device code (previous section), you may need to find out which four-digit code is operating your equipment. For example, to find out which code is operating your TV:

1. On the remote control, press **TV** once; it will blink once. Then press and hold **SETUP** until the **TV** key blinks twice.
2. Enter **9 9 0**. The **TV** key will blink twice.
3. To view the code for the first digit, press **1** once. Count the number of times the **TV** key blinks (e.g., 3 blinks = 3) and write down the number in the left most TV Code box above.

NOTE: If a code digit is 0, the selected mode key will not blink.

4. Repeat step 3 three more times for the remaining digits. Use **2** for the second digit, **3** for the third digit, and **4** for the fourth digit. Finish writing down the code in the TV Code boxes above
5. To check for other device codes, repeat steps 1 through 4, but substitute the appropriate key (e.g., **TV, AUD, DVD, AUX,** or **STB**) for the device you are checking. Write down the codes in the appropriate boxes above.

USING LEARNING

The Potenza ST Universal Remote Control includes a Learning feature (not available on all models) so you can add functions that are unique to your home entertainment devices (e.g., VCR Tracking Up or Down).

However, there are some considerations.

Learning Precautions

- Your original remote controls must be in working order for learning to work properly.
- Learned keys are mode-specific, so each one can store a unique function for each mode. • Do not use the following keys for learning: **Device Keys, SETUP, Record (•), Tune-In Keys** .
- Learning capacity is approximately 16 to 25 keys, depending on the code being learned.
- Certain device functions are not learnable including multi-frequency types, some high frequency ones, and other unusual formats.
- For optimum learning, avoid high levels of ambient light such as natural sunlight or energy-efficient fluorescent lights.
- Please have your original remote controls **NOTE:** handy before programming learning.

Programming a Learned Key

NOTE: If more than 15 seconds pass between key presses, the remote exits programming.

1. Press and hold **SETUP** until the last-selected mode key blinks twice, then press **9 7 5** .

NOTE: If the LED displays one long flash instead, either your batteries are low, or the Potenza ST Universal Remote Control has a memory fault.

2. Press a mode key once (i.e., **TV, AUD, DVD, AUX,** or **STB**) to assign a mode for learning.
3. Press the desired key on the Potenza ST once to store the feature to be learned.
4. Place the Potenza ST Remote Control head-to-head (about 2" apart) from your original remote control . Also locate the key (on your original remote control) that you want the Potenza ST Universal Remote Control to learn.
5. On the original remote, press and hold the key to be learned. The Potenza ST Remote Control's LED will blink

rapidly, then turn off. Continue holding the key on the original remote until the LED blinks twice.

NOTE: If the LED displays one long blink, a learning error has occurred. Try repeating this step again until a successful capture occurs. If the function is still not captured, press and hold **SETUP** to exit programming and review the “Learning Precautions” on the previous page. If needed, also see “Troubleshooting” on page 15. After review, start programming again at step 1.

6. Repeat steps 2 through 5 for another mode and/or key or press and hold **SETUP** until the active mode key LED blinks twice to exit programming.

Deleting a Single Learning Key

This process returns the key to its original programming for the mode you select. You can also delete learned programming by teaching a different function to the key (see “Programming a Learned Key” on page 10)

NOTE: If more than 15 seconds pass between key presses, the remote exits programming.

1. Press and hold **SETUP** until the last-selected mode key blinks twice, then press **9 7 6**.
2. Press a mode key once (i.e., **TV, AUD, DVD, AUX, or STB**). The LED on the selected mode key will blink once.
3. Press the key containing the learned function to be deleted twice. The active MODE key will blink twice.
4. Repeat steps 2 through 3 for another key or press and hold **SETUP** to exit programming.

Deleting All Learned Keys in a Specific Mode

NOTE: If more than 15 seconds pass between key presses, the remote exits programming.

1. Press and hold **SETUP** until the last-selected mode key blinks twice, then press **9 7 6**.
2. Press a mode key twice (i.e., **TV, AUD, DVD, AUX, or STB**) to clear all the learned keys for that mode. The mode key LED blinks twice.
3. Repeat step 2 for another mode or press and hold **SETUP** to exit programming.

PROGRAMMING CHANNEL CONTROL LOCK

By default, the remote control’s channel-control capabilities are locked to the set-top box. The affected keys* are **1** through **0**, **CH+**, **CH-**, and **LAST**. This will guarantee that you do not inadvertently change a channel on your TV or VCR. However, you can deactivate this feature to allow full access to these keys in the **TV** and **VCR** modes.

***NOTE:** This feature does not affect the **AUD** mode.

Unlocking Channel Control

1. On the remote control, press **STB** once; it will blink once. Press and hold **SETUP** until the **STB** key blinks twice.
2. Enter **9 7 3**. The **STB** key will blink twice.
3. Press **CH-** once. The **STB** key will blink four times.

Now the remote control will provide TV and VCR channel-control capabilities while in the TV or VCR mode.

Locking Channel Control to STB

1. On the remote control, press **STB** once; it will blink once. Press and hold **SETUP** until the **STB** key blinks twice.
2. Enter **9 7 3**. The **STB** key will blink twice.
3. Press **CH+** once. The **STB** key will blink twice.

Now, regardless of what mode you select (except **AUD**), the channel keys will only change channels on your set-top box.

CHANGING VOLUME LOCK

Volume Lock allows you to control the volume through the device identified as having your primary speaker(s), regardless of which mode you are using. On the Potenza ST Remote Control, Global Volume Lock is set to **TV**, so you can control TV volume while in the **TV, DVD, AUX** or **STB** mode. You can perform Individual Volume Unlock on a selected device to set its volume control for independent operation.

NOTE: The audio mode's (**AUD**) volume controls are active regardless of Volume Lock settings. However, if you lock the volume controls to the **AUD** mode, you will have control of the audio device's volume in all other modes (i.e., **TV, DVD, AUX**, and **STB**). This can be an advantage if, for example, you always listen to home entertainment devices through your receiver's speakers.

Unlocking Volume Control for a Single Device (Individual Volume Unlock)

1. Assuming Global Volume Lock is active, select a mode on the remote control that you want to unlock (e.g., **STB**) and press it once. Next, press and hold **SETUP** until the device key blinks twice.
2. Enter **9 9 3**. The last-selected device key will blink twice.
3. Press **VOL-** once. The last-selected device key will blink four times.
4. Repeat steps 1 through 3 for each device you want volume to be unlocked.

Now, after you select a device that has volume unlocked (e.g., **STB**), pressing **VOL+**, **VOL-**, or **MUTE**, will control only that device's volume.

Unlocking All Volume Control (Global Volume Unlock)

NOTE: Performing these instructions will set independent volume control for all programmed devices.

1. On the remote control, press and hold **SETUP** until the last-selected device key blinks twice.
2. Enter **9 9 3**. The last-selected device key will blink twice.
3. Press **VOL+** once. The last-selected device key will blink four times.

Locking Volume Control To One Mode (Global Volume Lock)

NOTE: The audio mode's volume controls are active regardless of Volume Lock settings. However, if you lock the volume controls to the **AUD** mode, you will control the audio device's volume in all other modes (i.e., **TV, DVD, AUX** or **STB**). This can be an advantage if, for example, you always listen to home entertainment devices through your receiver's speakers.

1. On the remote control, press and hold **SETUP** until the last-selected device key blinks twice.
2. Enter **9 9 3**. The last-selected device key will blink twice.
3. Select a mode (e.g., **TV** or **AUD**) which you want to use to control the volume. The selected device key will blink twice.

Now, when you press **VOL+**, **VOL-**, or **MUTE**, the volume of the selected device (e.g., **TV**) is controlled regardless of mode.

PROGRAMMING ID LOCK

The Potenza ST Universal Remote Control is locked at the factory to operate your service provider's set-top box. However, if you have another brand or model of set-top box or satellite service that you would like to control, then you'll need to perform the following steps to unlock the ID Lock, enter a new manufacturer's code, and lock the ID Lock again.

1. Turn on the set-top box.
2. On the remote control, press **STB** once; it will blink once. Then press and hold **SETUP** until the **STB** key blinks twice.
3. Enter **9 8 2**. The **STB** key will blink four times, indicating ID Lock is unlocked.
4. Perform the instructions under "Programming Device Control" on page 8 to program device control for the desired cable converter or satellite receiver.

When you are done, perform steps 5 and 6 on this page to again lock the ID Lock.

5. On the remote control, press **STB** once; it will blink once. Then press and hold **SETUP** until the **STB** key blinks twice.
6. Enter **9 8 2**. The **STB** key will blink twice, indicating ID Lock is again locked.

PROGRAMMING MACRO KEYS

The Potenza ST Universal Remote Control includes two macro keys (located directly below the **MUTE** and **LAST** keys). Macro keys allow you to set up key macros to activate certain keys in a specific order. For example, you can set up a key macro to change the channels on your TV, raise or lower the volume, and start recording on your VCR, all with the touch of one key. If you want to change the macros stored in a previously-programmed macro key, you'll need to clear the key first (see "Clearing a Macro Key" on page 13).

Programming a Macro Key

1. On the remote control, press and hold **SETUP** until it blinks twice.
2. Enter **9 9 5**. The **SETUP** key blinks twice.
3. Select a macro key (for example, **F1**) and press it once.
4. Press the key sequence you want to program into the macro. For example, to turn on your TV and raise its volume, press the **TV** mode key once, followed by pressing the **VOL+** key once.

NOTE: You can program up to 15 key presses into one macro.

5. Press and hold **SETUP** until it blinks twice.
6. To add another macro, repeat steps 1 through 5, substituting the new key sequence to be added in step 4.

NOTE: Programming more than five macros on the same macro key overwrites previous settings.

Clearing a Macro Key

1. On the remote control, press and hold **SETUP** until it blinks twice.
2. Enter **9 9 5**. The **SETUP** key blinks twice.
3. Press the macro key you want to clear once.
4. Press and hold **SETUP** until the active mode key blinks twice.

This macro key is now clear and ready for reprogramming (see "Programming a Macro Key" on page 13). If desired, repeat these to clear another Tune-In key.

USING THE MASTER POWER KEY

The Potenza ST Remote Control has a unique feature that allows you to sequentially turn up to five of your home entertainment devices on or off with a single key press.

NOTE: MASTER POWER (POWER) only works in the **STB** mode. If it is not programmed, only the set-top box will turn on or off. In any other mode, pressing **MASTER POWER (POWER)** once will turn the selected device on or off.

Programming the Master Power Key

1. On the remote control, press and hold **SETUP** until the last-selected device key blinks twice.
2. Enter **9 9 5**. The last-selected device key blinks twice.
3. Press **POWER** once.
4. For the first device you want in the power on sequence, press a device key (e.g., **STB**) once. Then press **POWER** once. For the second device in the power sequence, press its key once (e.g., **TV**). Then press **POWER**.
5. Repeat step 4 up to four more times to add the second, third, fourth, and fifth device, as desired.
6. To save the settings and exit the program:
 - a. Press **STB** once.

- b. Press and hold **SETUP** until the **STB** key blinks twice.

Using the Master Power Key

1. After programming, point the remote control at the devices. Press **STB** once.
2. Press **POWER** once to sequentially turn the programmed home entertainment devices on or off.

You will see the devices turn on or off according to the programmed sequence.

Clearing the Master Power Key

1. On the remote control, press and hold **SETUP** until the last-selected device key blinks twice.
2. Enter **9 9 5**. The last-selected device key blinks twice.
3. Press and release **POWER**.
4. Press and hold **SETUP** until the **STB** key blinks twice.

RE-ASSIGNING DEVICE KEYS

The Potenza ST Universal Remote Control can be set up to control a second device of an already-assigned type. For example, to have the unit control a TV, a set-top box, and *two* audio devices (for example, two audio receivers), re-assign the unused **AUX** key to operate the second audio device as follows:

NOTE: **AUX** is preset at the factory to control an RCA VCR. Performing the steps below will over-write those settings.

1. On the remote control, press **VCR** once; it will blink once. Then press and hold **SETUP** until the **VCR** key blinks twice.
2. Enter **9 9 2**. The **VCR** key will blink twice.
3. Press **AUD** once, then press **VCR** once. The **VCR** key will blink twice.

The **VCR** key is now ready to be programmed for your second audio device. See “Programming Device Control” on page 8. To re-assign other device keys, repeat these and substitute the key sequence using the following chart:

NOTE: Only one device can be assigned to an unused device key at a time.

To Re-Assign	Perform Key Sequence
AUX as 2 nd AUD key	AUX -> SETUP -> 9 -> 9 -> 2 -> AUD -> AUX
AUX as 2 nd TV key	AUX -> SETUP -> 9 -> 9 -> 2 -> TV -> AUX
AUX as 2 nd DVD key	AUX -> SETUP -> 9 -> 9 -> 2 -> DVD -> AUX
AUX as 2 nd DVD key	AUX -> SETUP -> 9 -> 9 -> 2 -> STB -> AUX
AUX back to AUX key	AUX -> SETUP -> 9 -> 9 -> 2 -> AUX -> AUX

To re-assign another unused device key, substitute it for the **AUX** key above and then perform the sequence. For example, to re-assign an unused **AUD** key as a second **DVD** key, perform

AUD -> SETUP -> 9 -> 9 -> 2 -> DVD -> AUD

When a re-assignment is done, the selected device key (e.g., **AUD**) will blink twice to confirm your choice. At that time, you will need to program device control (see “Programming Device Control” on page 8).

CLEARING CUSTOM PROGRAMMING

The Potenza ST Remote Control contains a *Custom Programming Reset* program. You can use it to remove all custom programming, except your setup codes and reassigned device keys.

IMPORTANT: Executing this program will erase all custom settings for Volume Lock, Learned Keys, Tune-In Keys, and Channel Lock. However, your device programming remains.

1. On the remote control, press and hold **SETUP** until the last-selected device key blinks twice.
2. Enter **9 8 0**. The last-selected device key blinks twice, pauses, and blinks twice again to confirm that all custom programming is cleared.

TROUBLESHOOTING

PROBLEM: Device key does not blink when you press a key.

SOLUTION: Replace the batteries with two (2) new AA batteries (see “Installing Batteries” on page 8).

PROBLEM: Device key blinks when you press a key, but home entertainment device does not respond.

SOLUTION: Make sure you are aiming the remote control at your home entertainment device and that you are within 15 feet of the device you are trying to control.

PROBLEM: The remote control does not control home entertainment devices or commands are not performing properly.

SOLUTION: Try all listed codes for the device brand being set up. Make sure all devices can be operated with an infrared remote control.

PROBLEM: TV/VCR Combo does not respond properly.

SOLUTION: Use the VCR codes for your brand. Some combo units may require both a TV code and a VCR code for full operation (see page 9).

PROBLEM: No volume on a second TV.

SOLUTION: Follow instructions under “Changing Volume Lock” on page 12.

PROBLEM: **PLAY** and **STOP** keys do not work on a Motorola DCT-2000 cable converter.

SOLUTION: Re-program the STB key for cable code 0476 (see “Programming Device Control” on page 8).

PROBLEM: Tried Search Method and still could not find a working code.

SOLUTION: Try the Search Method again after clearing out the device key as follows:

- a. Press and hold **SETUP** until device key blinks twice.
- b. Enter **9 9 2**.
- c. Press and release the device key to be cleared twice.

PROBLEM: Remote control does not turn on Sony or Sharp TV/VCR Combo.

SOLUTION: For power on, these products require programming TV codes on the remote control. For Sony, use TV code 0000 and VCR code 0032. For Sharp, use TV code 0093 and VCR code 0048.

FCC NOTICE

This equipment has been tested and found to comply with the limits for a class B digital device, pursuant to part 15 of the FCC Rules. These limits are designed to provide reasonable protection against harmful interference in a residential installation. This equipment generates, uses and can radiate radio frequency energy and if not installed and used in accordance with the instructions, may cause harmful interference to radio communications.

However, there is no guarantee that interference will not occur in a particular installation. If this equipment does cause harmful interference to radio or television reception, which can be determined by turning the equipment off and on, the user is encouraged to try to correct the interference by one or more of the following measures:

- Reorient or relocate the receiving antenna.
- Increase the separation between the equipment and receiver.
- Connect the equipment into an outlet on a circuit different from that to which the receiver is connected.
- Consult the dealer or an experienced radio/TV technician for help.

This equipment has been verified to comply with the limits for a class B computing device, pursuant to FCC Rules. In order to maintain compliance with FCC regulations, shielded cables must be used with this equipment. Operation with non-approved equipment or unshielded cables is likely to result in interference to radio and TV reception. The user is

cautioned that changes and modifications made to the equipment without the approval of manufacturer could void the user's authority to operate this equipment.

ADDITIONAL INFORMATION

This product does not have any user-serviceable parts. Opening the case, except for the battery cover, may cause permanent damage to your Potenza ST Universal Remote Control.

For help via the Internet, visit us at: www.urcsupport.com

©Copyright 2006 by Universal Electronics Inc. No part of this publication may be reproduced, transmitted, transcribed, stored in any retrieval system, or translated to any language, in any form or by any means, electronic, mechanical, magnetic, optical, manual, or otherwise, without prior written permission of Universal Electronics Inc.

M6695

09/07

MANUFACTURER'S CODES

Setup Codes for Audio Amplifiers

Adcom	0577, 1100
Bose	0674
Durabrand	1561
Elan	0647
GE	0078
Harman/Kardon	0892
JVC	0331
Left Coast	0892
Lenoxx	1561
Luxman	0165
Marantz	0892, 0321
McIntosh	0251
Nakamichi	0321
NEC	0264
Optimus	0395, 0823
Parasound	0246
Philips	0892
Pioneer	0823
Polk Audio	0892
RCA	0823
Realistic	0395
Sansui	0321
Shure	0264
Sony	0689, 0815, 1126
Soundesign	0078, 0211
Victor	0331
Wards	0078, 0211
Yamaha	0354, 0133

Setup Codes for Audio Receivers

ADC	0531
Aiwa	1405, 0189, 0121, 0405, 1243, 1388, 1641
Akai	1512
Alco	1390
Amphion Media Works	1563, 1615
AMW	1563, 1615
Anam	1609, 1074
Apex Digital	1257, 1430, 1774
Arcam	1120
Audiotronic	1189
Audiovox	1390, 1627
B & K	0701, 0820, 0840
BK	0702
Bose	1229, 1629, 1841, 1933
Cambridge Soundworks	1370
Capetronic	0531
Carver	1189, 0189
Classic	1352
Coby	1389

Curtis Mathes	0080
Daewoo	1250
Delphi	1414
Denon	1360, 0004, 1142
Fisher	1801
Gateway	1517
Go Video	1532
Harman/Kardon	0110, 0189, 0891, 1304, 1306
Hitachi	1801
Integra	0135, 1298, 1320
JBL	0110, 1306
JVC	1374, 1495, 1811, 1871
Kenwood	1313, 1570, 1569, 0186
KLH	1390, 1412, 1428
Koss	1366, 1497
Lasonic	1798
LG	1293
Linn	0189
Liquid Video	1497
Magnavox	1189, 1269, 0189, 0391, 0531, 1514
Marantz	1189, 1269, 0189, 1289
Mitsubishi	1393
Norcent	1389
Nova	1389
Onkyo	0135, 0842, 1298, 1320, 1531
Optimus	1023, 0080, 0186, 0531, 0670, 1074
Oritron	1366, 1497
Panasonic	1308, 1518, 0309, 0367, 1288, 1316, 1548, 1633, 1763, 1764
Philips	1189, 1269, 0189, 0391, 1120, 1266
Pioneer	1023, 0014, 0080, 0150, 0244, 0531, 0630, 1384
Polaroid	1508
Polk Audio	0189, 1289, 1414
Proscan	1254
RCA	1023, 1609, 1254, 0080, 0531, 1074, 1390, 1511
Rio	1869
Samsung	1295, 1500
Sansui	0189
Sanyo	1251, 1469, 1801
Sharp	0186, 1286
Sharper Image	1556
Sherwood	1077, 1517, 1653
Sirius	1627, 1811, 1987
Sonic Blue	1532, 1869

Sony	1058, 1441, 1258, 1759, 1622, 0474, 1349, 1406, 1442, 1558, 1658, 1758, 1858
Soundesign	0670
Stereophonics	1023
Sunfire	1313
Teac	1074, 1390, 1528
Technics	1308, 1518, 0309
Thorens	1189
Toshiba	1788
Venturer	1390
Wards	0189, 0014, 0080
XM	1406, 1414
Yamaha	0176, 0186, 1176, 1276, 1331, 1375
Zenith	0857, 1293

Setup Codes for Audio Accessories

Accurian	1106
Altec Lansing	0607, 1056, 1485
Apple	1115, 1644
Cambridge Soundworks	1530
Creative	0872
D-Link	1522
DLO	1155
Integra	1789
iPort	1917
Marantz	1491
Motorola	1464
NaviPod	1644
Netgear	1785
Omnifi	1605
Onkyo	1789
Roku	1828
Sonance	1917
SSI	1522
Yamaha	1809, 1810

Setup Codes for Cable Boxes/Converters

ABC	0003, 0008, 0014, 0017
Americast	0899
Amino	1602, 1822
Bell & Howell	0014
Bell South	0899
Clearmaster	0883
ClearMax	0883
Coolmax	0883
Digeo	1187
Digi	0637
Director	0476
Dumont	0637
General Instrument	0476, 0810, 0276, 0003

GoldStar	0144
Hamlin	0009, 0273
i3 Micro	1602
Jerrold	0476, 0810, 0276, 0003, 0012, 0014
Memorex	0000
Motorola	1376, 0476, 0810, 0276, 1187, 1254, 1106, 1540
Multitech	0883
Myrio	1602, 1822
Pace	1376, 1877, 0237, 0008
Panasonic	1376, 1877, 0000, 0107
Panther	0637
Paragon	0000
Philips	1305, 0317
Pioneer	1877, 0877, 0144, 0533
Pulsar	0000
Quasar	0000
RadioShack	0883
RCA	1256
Regal	0279, 0273
Runco	0000
Samsung	1376, 1877, 0144
Sasktel	1737
Scientific Atlanta	1877, 0877, 0477, 0008, 0017
Sejin	1602
Sony	1006
Starcom	0003
Supercable	0276
Supermax	0883
Thomson	1256
Tocom	0012
Torx	0003
Toshiba	0000
Tristar	0883
V2	0883
Viewmaster	0883
Vision	0883
Vortex View	0883
Zenith	0000, 0525, 0899

Setup Codes for Cable/DVR/PVR Combos

Americast	0899
Amino	1822
Digeo	1187
General Instrument	0476, 0810
Jerrold	0476, 0810
Motorola	1376, 0810, 1187, 1106, 1540, 0476
Myrio	1822
Pace	1376, 1877, 0237
Panasonic	1376, 1877
Pioneer	1877, 0877

RCA	1256
Sasktel	1737
Samsung	1376, 1877
Scientific Atlanta	1877, 0877
Sony	1006
Supercable	0276
Thomson	1256
Zenith	0899

Setup Codes for DVD Players

Accurian	1072, 1416
Adcom	1094
Advent	1016
Aiwa	0641
Akai	0695, 0770, 0899, 1089
Alco	0790
Allegro	0869
Amphion Media Works	0872, 1245
AMW	0872, 1245
Apex Digital	0672, 0717, 0755, 0794, 0796, 0797, 0830, 1004, 1020, 1056, 1061, 1100
Arrgo	1023
Aspire Digital	1168, 1407
Audiologic	0736
Audiovox	0790, 1041, 1071, 1072, 1121, 1122
Axion	1071, 1072
B & K	0655, 0662
BBK	1224
Bel Canto Design	1571
Blaupunkt	0717
Blue Parade	0571
Broksonic	0695, 0868, 1419
Buffalo	1882
Cary Audio Design	1477
CAVS	1057
Centrios	1577
Cinea	0831
Cinego	1399
CineVision	0876, 0833, 0869
Citizen	1277
Coby	0778, 0852, 1086, 1107, 1165, 1177, 1351
Craig	0831
Curtis Mathes	1087
CyberHome	0816, 0874, 1023, 1024, 1117, 1129, 1502, 1537
D-Link	1881
Daewoo	0784, 0705, 0833, 0869, 1169, 1172, 1234, 1242, 1441, 1443
Denon	0490, 0634
Desay	1407, 1455

Diamond Vision	1316, 1609, 1610
Disney	0675, 1270
Dual	1068, 1085
Durabrand	1127
DVD2000	0521
Emerson	0591, 0675, 0821, 1268
Enterprise	0591
ESA	0821, 1268, 1443
Fisher	0670, 1919
Funai	0675, 1268, 1334
Gateway	1073, 1077, 1158
GE	0522, 0815, 0717
Go Video	0744, 0715, 0741, 0783, 0833, 0869, 1044, 1075, 1099, 1144, 1158, 1304, 1443, 1730
Go Vision	1071, 1072
GoldStar	0741
GPX	0699, 0769
Greenhill	0717
Harman/Kardon	0582, 0702
Hitachi	0573, 0664, 1247, 1919
Hiteker	0672
iLo	1348, 1472
Initial	0717, 1472
Innovative Technology	1542
Insignia	1268
Integra	0627
Jaton	1078
JBL	0702
Jensen	1016
JSI	1423
JVC	0558, 0623, 0867, 1164, 1275, 1602, 1863
jWin	1049, 1051
Kawasaki	0790
Kenwood	0490, 0534, 0682, 0737
KLH	0717, 0790, 1020, 1149, 1261
Konka	0711, 0719, 0720, 0721
Koss	0651, 0896, 1423
Kreisen	1421
Landel	0826
Lasonic	0798, 1173
Lenoxx	1127
LG	0591, 0741, 0801, 0869, 1526
LiteOn	1058, 1158, 1416, 1440
Loewe	0511
Magnavox	0503, 0539, 0646, 0675, 0821, 1268, 1506
Malata	0782, 1159
Marantz	0539
McIntosh	1273
Memorex	0695, 0831, 1270

Microsoft	0522, 1708
Mintek	0839, 0717, 1472
Mitsubishi	1521, 0521
Momitsu	1082
NAD	0741
Nakamichi	1222
NEC	0785
Nesa	0717, 1603
NeuNeo	1454
Next Base	0826
NexxTech	1402
Norcent	1003, 0872, 1107, 1265, 1457
Onkyo	0503, 0627, 0792
Oppo	1224, 1525
OptoMedia Electronics	0896
Oritron	0651
Panasonic	0490, 0632, 0703, 1362, 1462, 1490, 1762
Philips	0503, 0539, 0646, 0675, 0854, 1260, 1267, 1354
Pioneer	0525, 0571, 0631, 0632
Polaroid	1020, 1061, 1086, 1245, 1316, 1478, 1480, 1482
Polk Audio	0539
Portland	0770
Presidian	0675, 1072
Prima	1016
Primare	1467
Princeton	0674
Proscan	0522
ProVision	0778
Qwestar	0651
RCA	0522, 0571, 0717, 0790, 0822, 1022, 1132, 1193
Rio	0869
RJTech	1360
Rotel	0623, 1178
Rowa	0823
Sampo	0698, 0752, 1501
Samsung	0490, 0573, 0820, 0899, 1044, 1075
Sansui	0695
Sanyo	0670, 0695, 0873, 1919
Sensory Science	1158
Sharp	0630, 0675, 0752, 1256
Sharper Image	1117
Sherwood	0633, 0770, 1043, 1077, 1889
Shinsonic	0533, 0839
Sigma Designs	0674
Sonic Blue	0869, 1099

Sony	0533, 1533, 0864, 1033, 1431, 1432, 1433, 1548, 1892
Sound Mobile	1298
Sova	1122
Sungale	1074, 1532
Superscan	0821
SVA	0860, 1105
Sylvania	0675, 0821, 1268
Symphonic	0675, 0821
TAG McLaren	0894
Teac	0790, 0809
Technics	0490, 0703
Technosonic	0730
Techwood	0692
Terapin	1031
Theta Digital	0571
Toshiba	0503, 0695, 1045, 1154, 1854
Tredex	0799, 0800, 0803, 0804
Urban Concepts	0503
US Logic	0839
Valor	1298
Venturer	0790
Vialta	1509
Vizio	1064, 1226
Vocopro	1027, 1360
Xbox	0522, 1708
Xwave	1001
Yamaha	0490, 0539, 0545
Zenith	0503, 0591, 0741, 0869
Zoece	1265

Setup Codes for DVD Recorders

Accurian	1416
Apex Digital	1056
Aspire Digital	1168
Coby	1086
CyberHome	1129, 1502
Funai	0675, 1334
Gateway	1073, 1158
Go Video	0741, 1158, 1304, 1730
iLo	1348
JVC	1164, 1275
Kreisen	1421
LG	0741
LiteOn	1158, 1416, 1440
Magnavox	0646, 0675, 1506
Panasonic	0490
Philips	0646
Pioneer	0631
Polaroid	1086
RCA	0522
Samsung	0490

Sensory Science	1158
Sharp	0675
Sony	1033, 1431, 1432, 1433
Sylvania	0675
Zenith	0741

Setup Codes for DVD Combos

Akai	0695
Audiovox	1071, 1121, 1122
iLo	1472
Initial	1472
LG	1526
Mintek	1472
RCA	1193

Satellite Receivers and DVR/PVR Systems

Setup Codes for Satellite Receivers

AlphaStar	0772
Amino	1615
Chaparral	0216
Coolsat	1806
Crossdigital	1109
DirecTV	1377, 0392, 0566, 0639, 1639, 1142, 0247, 0749, 1749, 0724, 0819, 1856, 1076, 1108, 0099, 1109, 1392, 1414, 1442, 1443, 1444, 1609, 1640
Dish Network System	1505, 1005, 0775, 1170, 1775
Dishpro	1505, 1005, 0775, 1775
Echostar	1505, 1005, 0775, 1170, 1775
Expressvu	0775, 1775
GE	0566
General Instrument	0869
GOI	0775, 1775
Goodmans	1246
Hisense	1535
Hitachi	0819, 1250
HTS	0775, 1775
Hughes Network Systems	1142, 0749, 1749, 1442, 1443, 1444
Humax	1790
iLo	1535
JVC	0775, 1170, 1775
LG	1226, 1414
Magnavox	0724, 0722
Memorex	0724
Mitsubishi	0749
Motorola	0869
NEC	1270
Next Level	0869

Panasonic	0247, 0701
Pansat	1807
Paysat	0724
Philips	1142, 0749, 1749, 0724, 1076, 0722, 0099, 1442
Proscan	0392, 0566
Proton	1535
RadioShack	0869
RCA	0566, 0855, 0143, 1392
Samsung	1377, 1276, 1108, 1109, 1442, 1609
Sanyo	1219
SKY	0856
Sony	0639, 1639, 1640
Star Choice	0869
Tivo	1142, 1442, 1443, 1444
Toshiba	0749, 1749, 0790, 1285
UltimateTV	1392, 1640
Ultrasat	1806
Uniden	0724, 0722
US Digital	1535
USDTV	1535
Voom	0869
Zenith	1856, 0856

Setup Codes for DVR/PVR Systems

Amino	1615
DirecTV	1377, 0392, 0639, 1142, 1076, 0099, 1392, 1442, 1443, 1444, 1640
Dish Network System	1505, 0775
Dishpro	1505, 0775
Echostar	1505, 0775, 1170
Expressvu	0775
Hughes Network Systems	1142, 1442, 1443, 1444, 0739
JVC	1170
Motorola	0869
Philips	1142, 1442, 0739
Proscan	0392
RCA	1392
Samsung	1442, 0739
Sony	0639, 1640
Star Choice	0869

Setup Codes for TVs

A-Mark	0003
Abex	0032
Accurian	1803
Action	08731
Admira	0093, 0463
Advent	0761, 0783, 0815, 0817, 0842, 1933

Adventura	0046
Aiko	0092
Aiwa	0701
Akai	0812, 0702, 0030, 0098, 0672, 1207, 1903, 1935
Alaron	0179, 0183, 0216
Albatron	0700, 0843
Ambassador	0177
America Action	0180
Ampro	0751
Anam	0180, 0004, 0009, 0068
Anam National	0055, 0161
AOC	0030, 0003, 0019, 0052, 0137, 0185, 1365
Apex Digital	0748, 0879, 0765, 0767, 0890, 1217, 1943
Archer	0003
Astar	1548
Audiovox	0451, 0180, 0092, 0003, 0623, 0710, 0802, 0846, 0875, 1284, 1937, 1951, 1952
Aventura	0171
Axion	1937
Belcor	0019
Bell & Howell	0154, 0016
BenQ	1032, 1315
Bradford	0180
Brockwood	0019
Broksonic	0236, 0463, 0003, 1935, 1938
Byd:sign	1309, 1311
Cadia	1283
Candle	0030, 0046, 0056, 0186
Carnivale	0030
Carver	0054, 0170
CCE	0217, 0329
Celebrity	0000
Celera	0765
Champion	1362
Changhong	0765
Cinego	1986
Citizen	0060, 0030, 0092, 0039, 0046, 0056, 0186, 0280
Clairtone	0185
Clarion	0180
Commercial Solutions	1447, 0047
Concerto	0056
Contec	0180, 0157, 0158, 0185
Craig	0180, 0161
Crosley	0054
Crown	0180, 0039

Curtis Mathes	0047, 0054, 0154, 0451, 0093, 0060, 0702, 0030, 0145, 0166, 1347, 1147, 0747, 0466, 0056, 0039, 0016
CXC	0180
CyberHome	0794
Cytron	1326
Daewoo	0451, 0092, 1661, 0019, 0039, 0066, 0067, 0091, 0623, 0661, 0672
Daytron	0019
Dell	1080, 1178, 1264, 1403
Denon	0145, 0511
Denstar	0628
Diamond Vision	1996, 1997
Dumont	0017, 0019
Durabrand	0463, 0180, 0178, 0171, 1034, 0003
Dwin	0720, 0774
Dynatech	0049
Electroband	0000, 0185
Electrograph	1623, 1755
Electrohome	0381, 0389, 0409
Emerson	0154, 0236, 0463, 0180, 0178, 0171, 1963, 1944, 0623, 0282, 0280, 0270, 0185, 0183, 0182, 0181, 0179, 0177, 0158, 0039, 0038, 0019
Emprex	1422, 1546
Envision	0030, 0813, 1365
Epson	0833, 0840, 1290
ESA	0812, 0171, 1944, 1963
Fisher	0154, 0159
FlexVision	0710
Fujitsu	0179, 0186, 0683, 0809, 0853
Funai	0180, 0171, 0179, 1271, 1963
Futuretech	0180
Gateway	1001, 1002, 1003, 1004, 1755, 1756
GE	1447, 0047, 0051, 0451, 0178, 1347, 0747, 0282, 0279, 0251, 0174, 0138, 0135, 0055, 0029, 0027, 0021
Gibraltar	0017, 0030, 0019
Go Video	0886
GoldStar	0178, 0030, 0001, 0002, 0019, 0032, 0106, 0409
Goodmans	0360
Gradiente	0392
Grunpy	0180, 0179

Haier	1034, 0768
Hallmark	0178
Hannspree	1348, 1351, 1352
Hantarex	1338
Harley Davidson	0043, 0179
Harman/Kardon	0054, 0078
Harvard	0180, 0068
Havermy	0093
Helios	0865
Hello Kitty	0451
Hewlett Packard	1088, 1089, 1101, 1494, 1502
Hisense	0748
Hitachi	1145, 0145, 0016, 0032, 0038, 0056, 0095, 0097, 0151, 0173, 0227, 0279, 0409, 0413, 0797, 1960
HP	1088, 1089, 1101, 1494, 1502
Hyundai	0849, 1219, 1294
iLo	1286, 1603, 1990
Infinity	0054
Initial	1603, 1990
Insignia	0171, 1204, 1326, 1517, 1963, 2002
Inteq	0017
Janeil	0046
JBL	0054
JCB	0000
Jensen	0761, 0050, 0815, 0817, 1299, 1933
JVC	0053, 0036, 0069, 0160, 0169, 0182, 0731, 1253
Kamp	0216
Kawasho	0158, 0216, 0308
Kaypani	0052
KEC	0180
Kenwood	0030, 0019
KLH	0765, 0767, 1962
Kloss	0024, 0046, 0078
KMC	0106
Konka	0628, 0632, 0638, 0703, 0707
Kost	1262, 1483
KTV	0180, 0030, 0039, 0183, 0185, 0217, 0280
LG	1265, 0178, 0442, 0700, 0829, 0856, 1178, 1325, 1423, 1758, 1993
Loewe	0136
Logik	0016
Luxman	0056
LXI	0047, 0054, 0154, 0156, 0178, 0148, 0747

Magnavox	1454, 0054, 0030, 0706, 1963, 1944, 1525, 1254, 1198, 0802, 0386, 0230, 0187, 0186, 0179, 0096, 0036, 0028, 0024, 0020
Majestic	0015, 0016
Marantz	0054, 0030, 0444, 0704, 0854, 0855, 1154, 1398
Matsushita	0250, 0650
Maxent	0762, 1211, 1755
Megapower	0700
Megatron	0178, 0145, 0003
MEI	0185
Memorex	0154, 0463, 0150, 0178, 0016, 0106, 0179
MGA	0150, 0178, 0030, 0019, 0155
Midland	0047, 0017, 0051, 0032, 0039, 0135, 0747
Mintek	1603, 1990
Minutz	0021
Mitsubishi	0093, 1250, 0150, 0178, 0014, 0019, 0098, 0155, 0331, 0358, 0836, 0868, 1550
Monivision	0700, 0843
Motorola	0093, 0055, 0835
Moxell	0835
MTC	0060, 0030, 0019, 0049, 0056, 0091, 0185, 0216
Multitech	0180, 0049, 0217
NAD	0156, 0178, 0866
NEC	0030, 0019, 0036, 0056, 0170, 0434, 0497, 0882, 1398, 1704
Neovia	1338
NetTV	0762, 1755
Nikko	0178, 0030, 0092, 0317
Noblex	0430
Norcent	0748, 0824, 1089, 1365, 1589, 1590, 1591
Norwood Micro	1286, 1296, 1303
Noshi	0018
NTC	0092
Olevia	1144, 1240, 1331, 1610
Olympus	1342
Onwa	0180
Optimus	0154, 0250, 0166, 0650
Optoma	0887
Optonica	0093, 0165
Orion	0236, 0463, 1463, 0179
Panasonic	0250, 0051, 0055, 0162, 0226, 0338, 0375, 0650, 1291, 1410, 1941, 1946, 1947

Penney	0047, 0156, 0051, 0060, 0178, 0030, 1347, 0747, 0309, 0149, 0138, 0135, 0110, 0039, 0032, 0027, 0021, 0019, 0018, 0003, 0002
Petters	1523
Philco	0054, 0030, 0019, 0020, 0028, 0096, 0302
Philips	1454, 0054, 0690, 1154, 1483
Pilot	0030, 0019, 0039
Pioneer	0166, 0038, 0172, 0679, 0866, 1260, 1398
Polaroid	0765, 0865, 1262, 1276, 1314, 1316, 1326, 1327, 1328, 1341, 1498, 1523, 1991, 1992
Portland	0092, 0019, 0039
Prima	0761, 0783, 0815, 0817, 1933
Princeton	0700, 0717
Prism	0051
Proscan	1447, 0047, 0747, 1347
Proton	0178, 0003, 0031, 0052, 0466
Protron	1320, 1323
Proview	0835, 1401, 1498
Pulsar	0017, 0019
Quasar	0250, 0051, 0055, 0165, 0219, 0650
RadioShack	0047, 0154, 0180, 0178, 0030, 0019, 0032, 0039, 0056, 0165, 0409, 0747
RCA	1447, 0047, 2002, 1958, 1953, 1948, 1547, 1347, 1247, 1147, 1047, 0747, 0679, 0278, 0174, 0135, 0090, 0038, 0029, 0019, 0018
Realistic	0154, 0180, 0178, 0030, 0019, 0032, 0039, 0056, 0165
Rhapsody	0183, 0185, 0216
Runco	0017, 0030, 0251, 0497, 0603, 1398
Sampo	0030, 0032, 0039, 0052, 0100, 0110, 0762, 1755
Samsung	0060, 0812, 0702, 0178, 0030, 1903, 1575, 1395, 1312, 1060, 0814, 0766, 0427, 0408, 0329, 0056, 0032, 0019
Samsux	0039
Sansui	0463, 1409, 1935

Sanyo	0154, 0088, 0107, 0146, 0159, 0232, 0484, 0799, 0893, 1142
Sceptre	0878, 1217, 1360, 1599
Scimitsu	0019
Scotch	0178
Scott	0236, 0180, 0178, 0019, 0179, 0309
Sears	0047, 0054, 0154, 0156, 0178, 0171, 0015, 0056, 0146, 0148, 0149, 0159, 0168, 0179, 0281, 0747
Sharp	0093, 0039, 0153, 0157, 0165, 0220, 0281, 0386, 0398, 0491, 0688, 0689, 0818, 0851, 1602
Sheng Chia	0093
Sherwood	1399
Shogun	0019
Signature	0016
Signet	1262
SIM2 Multimedia	1297
Simpson	0186, 0187
Sony	1100, 0000, 0011, 0080, 0111, 0273, 0353, 0810, 0834, 1317
Soundesign	0180, 0178, 0179, 0186
Sova	1320, 1952
Soyo	1520
Spectricon	0003, 0137
Squareview	0171
SSS	0180, 0019
Starlite	0180
Studio Experience	0843
Superscan	0093, 0864
Supre-Macy	0046
Supreme	0000
SVA	0748, 0587, 0768, 0865, 0870, 0871, 0872
Sylvania	0054, 0030, 0171, 0020, 0028, 0065, 0096, 0381, 1271, 1944, 1963
Symphonic	0180, 0171, 1944
Syntax	1144, 1240, 1331
Tandy	0093
Tatung	0003, 0049, 0055, 0396, 1101, 1285, 1286, 1287, 1288, 1361, 1756
Technics	0250, 0051
Technol Ace	0179
Technovox	0007
Techview	0847
Techwood	0051, 0003, 0056

Teknika	0054, 0180, 0150, 0060, 0092, 0016, 0019, 0039, 0056, 0175, 0179, 0186, 0312, 0322
Telefunken	0702, 0056, 0074
Tera	0031
Thomson	0209, 0210
TMK	0178, 0056, 0177
TNCi	0017
Toshiba	0154, 1256, 0156, 1265, 0060, 1945, 1935, 1704, 1656, 1635, 1356, 1343, 1325, 1306, 1156, 0845, 0832, 0650, 0149, 0036
Tosonic	0185
Totevision	0039
Trical	0157
TVS	0463
Ultra	0391, 1323
Universal	0027
Universum	1337
US Logic	1286, 1303
Vector Research	0030
Victor	0053
Video Concepts	0098
Vidikron	0054, 0242, 1398
Vidtech	0178, 0019, 0036
Viewsonic	0797, 0857, 0864, 0885, 1330, 1342, 1578, 1627, 1755
Viking	0046, 0312
Viore	1207
Visart	1336
Vizio	0864, 0885, 1499, 1756, 1758
Wards	0054, 0178, 0030, 1156, 0866, 0202, 0179, 0174, 0165, 0111, 0096, 0080, 0056, 0029, 0028, 0027, 0021, 0020, 0019, 0016
Waycon	0156
Westinghouse	0885, 0889, 0890, 1282, 1577
White Westinghouse	0463, 0623
Wyse	1365
Yamaha	0030, 0019, 0769, 0797, 0833, 0839
Zenith	0017, 0463, 1265, 0178, 0092, 0016
Zonda	0003

Setup Codes for TVs (DLP)

Hewlett Packard	1494
HP	1494

LG	1265
Magnavox	1525
Mitsubishi	1250
Optoma	0887
Panasonic	1291
RCA	1447
Samsung	0812, 1060, 1312
SVA	0872
Toshiba	1265, 1306
Vizio	1499

Setup Codes for TVs (HDTV)

Advent	0842
Hitachi	1960
Marantz	0854
Mitsubishi	0150
Panasonic	0250, 0650, 1291
Pioneer	0679
Princeton	0717
RCA	1447
Samsung	0812, 0702
Sharp	0688, 0689
Toshiba	1256

Setup Codes for TVs (LCD)

Accurian	1803
Action	0873
Akai	1935
AOC	1365
Apex Digital	0890, 1217
Astar	1548
Audiovox	0180, 0710, 0802, 0846, 0875, 1284, 1937, 1951, 1952
BenQ	1315
Byd:sign	1309, 1311
Cadia	1283
CyberHome	0794
Dell	1080, 1178, 1264
Emprex	1422, 1546
Envision	0813, 1365
FlexVision	0710
Funai	0171
Go Video	0886
Hannspree	1348, 1351
Hewlett Packard	1088
HP	1088
Hyundai	0849, 1219, 1294
iLo	1286, 1603, 1990
Initial	1603, 1990
Insignia	1204, 1517, 2002
Jensen	1299
Kost	1262

LG	0856, 1178, 1993
Magnavox	1454, 0802, 1198
Marantz	0855
Maxent	0762, 1211
Mintek	1603, 1990
Mitsubishi	1250
NetTV	0762
Norcent	1365, 1589, 1591
Norwood Micro	1286, 1296
Olevia	1144, 1240, 1331, 1610
Panasonic	0650, 1941
Petters	1523
Philips	1454, 1483
Polaroid	1262, 1276, 1316, 1341, 1498, 1523
Protron	1320, 1323
Proview	1401
RCA	0047, 1958
Sampo	0762
Samsung	0812, 0766, 0814, 1395, 1575
Sansui	1409
Sanyo	1142
Sceptre	0878, 1217, 1360, 1599
Sharp	0093, 0818, 1602
Sherwood	1399
Signet	1262
Sony	0810
Sova	1320
Soyo	1520
Superscan	0864
SVA	0587, 0870, 0871
Sylvania	0171, 1271
Symphonic	0171
Syntax	1144, 1240, 1331
Tatung	1286
Techview	0847
Toshiba	0845, 1343, 1635, 1656
Ultra	1323
US Logic	1286
Vidikron	1398
Viewsonic	0857, 0864, 0885, 1330, 1578, 1627
Visart	1336
Vizio	0864, 0885, 1756
Westinghouse	0885, 0889, 0890, 1282, 1577
Wyse	1365
Zenith	1265

Setup Codes for TV/DVD Combos

Controlled by the TV

Accurian	1803
Advent	1933

Akai	1935
Apex Digital	1943
Audiovox	1937, 1951, 1952
Axion	1937
Broksonic	1935
Cinego	1986
Diamond Vision	1997
Emerson	1963
ESA	1963
Funai	1963
Hitachi	1960
iLo	1990
Initial	1990
Insignia	1963, 2002
Jensen	1933
KLH	1962
LG	1993
Magnavox	1963
Mintek	1990
Panasonic	1941
Polaroid	1991
Prima	1933
RCA	1948, 1958, 2002
Samsung	1903
Sansui	1935
Sova	1952
Sylvania	1963
Toshiba	1635, 1935

Controlled by the DVD

Advent	1016
Akai	0695
Apex Digital	0830
Audiovox	1071, 1121, 1122
Axion	1071
Broksonic	0695
Cinego	1399
Diamond Vision	1610
Emerson	0675, 1268
ESA	1268
Funai	1268
Go Vision	1071
Hitachi	1247
iLo	1472
Initial	1472
Insignia	1268
Jensen	1016
KLH	1261
Konka	0719, 0720
LG	1526
Magnavox	1268
Mintek	1472
Panasonic	1490
Philips	0854, 1260
Polaroid	1480

Prima	1016
RCA	1022, 1193
Samsung	0899
Sansui	0695
Sova	1122
Sylvania	0675, 1268
Toshiba	0695

Setup Codes for TV/VCR Combos

Controlled by the TV

America Action	0180
Audiovox	0180
Emerson	0236

Controlled by the VCR

America Action	0278
Audiovox	0278
Broksonic	0002, 0479, 1479
Citizen	1278
Colt	0072
Curtis Mathes	1035
Daewoo	0637, 1278
Emerson	0002, 0294, 0479, 0593, 1278, 1479
Funai	0000
GE	0240, 0807, 1035, 1060
GoldStar	1237
Harley Davidson	0000
Hitachi	0000
LG	1037
Lloyd's	0000
Magnasonic	0593, 1278
Magnavox	0000, 0593, 1781
Magnin	0240
Memorex	0162, 0454, 1037, 1162, 1237, 1262
MGA	0240
Mitsubishi	0807
Optimus	0162, 0454, 0593, 1162, 1262
Orion	0002, 0479, 1479
Panasonic	0162, 1035, 1162, 1262
Penney	0240, 1035, 1237
Quasar	0162, 1035, 1162
RadioShack	0000, 1037
RCA	0240, 0807, 1035, 1060
Samsung	1014
Sansui	0000, 0479, 1479
Sanyo	0240
Sears	0000, 1237
Sony	0000, 1232
Sylvania	1781
Symphonic	0000, 0593
Thomas	0000

Toshiba	0845, 1145
White Westinghouse	0637
Zenith	0000, 0479, 0637, 1479

Setup Codes for TV/VCR/DVD Combos

Controlled by the TV

Akai	1903
Broksonic	1938
Diamond Vision	1996
Emerson	1944
ESA	1944
Magnavox	1944
Panasonic	1946, 1947
Polaroid	1992
RCA	1953
Sylvania	1944
Symphonic	1944
Toshiba	1945

Controlled by the DVD

Akai	0899
Broksonic	0868
Diamond Vision	1609
Emerson	0821
ESA	0821
Funai	1334
Magnavox	0821
Panasonic	1362, 1462
Polaroid	1482
RCA	1132
Sharp	0630
Superscan	0821
Sylvania	0821
Symphonic	0821
Toshiba	1045

Controlled by the VCR

Sharp	0807
-------	------

Setup Codes for VCRs

ABS	1972
Admiral	0048, 0209
Adventura	0000
Aiko	0278
Aiwa	0037, 0000, 0124, 0307, 0468
Akai	0041, 0049, 0053, 0061, 0106, 0175
Alienware	1972
America Action	0278
American High	0035
Asha	0240
Audiovox	0037, 0278

Beaumarck	0240
Bell & Howell	0104
Broksonic	0184, 0121, 0209, 0002, 0211, 0295, 0361, 0479, 1479, 1815
Calix	0037
Canon	0035, 0102
Capehart	0020
Carver	0081
CCE	0072, 0278
Citizen	0037, 0278, 1278
Colt	0072
Craig	0037, 0047, 0240, 0072, 0271
Curtis Mathes	0060, 0035, 0162, 0041, 0760, 1035
Cybernex	0240, 0051
CyberPower	1972
Daewoo	0045, 0278, 0020, 0561, 0637, 1278
Daytron	0020
Dell	1972
Denon	0042
DirecTV	0739
Durabrand	0039, 0038
Dynatech	0000
Electrohome	0037
Electroponic	0037
Emerex	0032
Emerson	0037, 0184, 0000, 0121, 0043, 0209, 0002, 0278, 1479, 1278, 0637, 1593, 0593, 0561, 0510, 0479, 0361, 0295, 0294, 0212, 0211, 0208, 0088, 0068, 0061, 0036
Fisher	0047, 0104, 0054, 0066
Fuji	0035, 0033
Funai	0000, 0593, 1593
Garrard	0000
Gateway	1972
GE	0060, 0035, 0240, 0065, 0202, 0760, 0761, 0807, 1035, 1060
Go Video	0232, 0279, 0432, 0526, 0643
GoldStar	0037, 0038, 0018, 1237
Gradiente	0000, 0408
Grundig	0195
Harley Davidson	0000
Harman/Kardon	0081, 0038, 0075
Harwood	0072, 0068
Headquarter	0046
Hewlett Packard	1972
HI-Q	0047

Hitachi	0000, 0042, 0041, 0065, 0082, 0089, 0105, 0166
Howard Computers	1972
HP	1972
Hughes Network Systems	0042, 0739
Humax	0739
Hush	1972
iBUYPOWER	1972
Jensen	0041
JVC	0067, 0041, 0008, 0206, 0207, 0384, 1707
KEC	0037, 0278
Keen	0693
Kenwood	0067, 0041, 0038, 0384
KLH	0072
Kodak	0035, 0037
LG	1037
Linksys	1972
Lloyd's	0000, 0208
Logik	0072
LXI	0037
Magnasonic	0593, 1278
Magnavox	0035, 0039, 0081, 0000, 0149, 0110, 0563, 0593, 1593, 1781
Magnin	0240
Marantz	0035, 0081
Marta	0037
Matsushita	0035, 0162, 1162
Media Center PC	1972
MEI	0035
Memorex	0035, 0162, 0037, 0048, 0039, 0047, 0240, 0000, 0104, 0209, 0046, 0307, 0454, 0479, 1037, 1162, 1237, 1262
MGA	0240, 0043, 0061
MGN Technology	0240
Microsoft	1972
Mind	1972
Minolta	0042, 0105
Mitsubishi	0067, 0043, 0061, 0075, 0173, 0443, 0807
Motorola	0035, 0048
MTC	0240, 0000
Multitech	0000, 0072
NAD	0058
NEC	0104, 0067, 0041, 0038, 0040, 0050, 0082
Nikko	0037
Nikon	0034
Niveus Media	1972
Noblex	0240
Northgate	1972
Olympus	0035, 0226

Onkyo	0222
Optimus	1062, 0162, 0037, 0048, 0104, 0058, 0432, 0454, 0593, 1048, 1162, 1262
Optonica	0062
Orion	0184, 0209, 0002, 0295, 0479, 1479
Panasonic	1062, 0035, 0162, 0077, 0102, 0225, 0226, 0227, 0378, 0454, 0616, 1035, 1162, 1262
Penney	0035, 0037, 0240, 0042, 0038, 0040, 0054, 1035, 1237
Pentax	0042, 0065, 0105
Philco	0035
Philips	0035, 0081, 0062, 0110, 0618, 0739, 1081, 1181
Pilot	0037
Pioneer	0067, 0058
Polk Audio	0081
Portland	0020
Presidian	1593
Profitronic	0240
Proscan	0060, 0202, 0760, 0761, 1060
Protec	0072
Pulsar	0039, 0051
Quarter	0046
Quartz	0046
Quasar	0035, 0162, 0077, 0454, 1035, 1162
RadioShack	0000, 1037
Radix	0037
Randex	0037
RCA	0060, 0240, 0042, 0149, 0058, 0065, 0077, 0105, 0106, 0202, 0760, 0761, 0807, 0880, 1035, 1060
Realistic	0035, 0037, 0048, 0047, 0000, 0104, 0046, 0062, 0066
ReplayTV	0614, 0616
Ricavision	1972
Ricoh	0034
Runco	0039
Salora	0075
Samsung	0240, 0045, 0051, 0053, 0739, 1014
Samtron	0643
Sanky	0048, 0039
Sansui	0000, 0067, 0209, 0041, 0082, 0271, 0479, 1479

Sanyo	0047, 0240, 0104, 0046, 0159
Scott	0184, 0045, 0121, 0043, 0210, 0211, 0212
Sears	0035, 0037, 0047, 0000, 0042, 0104, 0046, 0054, 0066, 0105, 1237
Sharp	0048, 0062, 0807, 0848
Shintom	0072
Shogun	0240, 0051
Singer	0072
Sonic Blue	0614, 0616
Sony	0035, 0032, 0033, 0000, 0011, 0034, 0636, 1032, 1232, 1972
Stack 9	1972
STS	0042
Sylvania	0035, 0081, 0000, 0043, 0110, 0593, 1593, 1781
Symphonic	0000, 0593, 1593
Systemax	1972
Tagar Systems	1972
Tatung	0041
Teac	0000, 0041
Technics	0035, 0162
Teknika	0035, 0037, 0000, 0052
Thomas	0000
Tivo	0618, 0636, 0739, 1996
TMK	0240, 0036, 0208
Toshiba	0045, 0043, 0066, 0210, 0212, 0366, 0845, 1008, 1145, 1972, 1996
Totevision	0037, 0240
Touch	1972
Unitech	0240
Vector	0045
Vector Research	0038, 0040
Video Concepts	0045, 0040, 0061
Videomagic	0037
Videosonic	0240
Viewsonic	1972
Villain	0000
Voodoo	1972
Wards	0060, 0035, 0048, 0047, 0081, 0240, 0000, 0042, 0072, 0149, 0062, 0212, 0760
White Westinghouse	0209, 0072, 0637
XR-	1000 0035, 0000, 0072
Yamaha	0038
Zenith	0039, 0033, 0000, 0209, 0034, 0479, 0637, 1139, 1479
ZT Group	1972